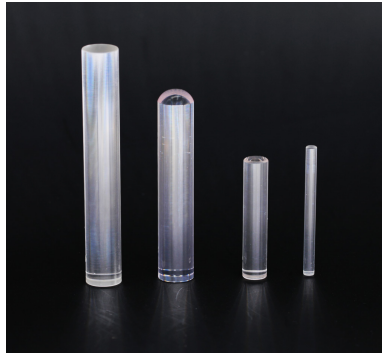


Optic-Well Sapphire Products List



Date:23.3.13

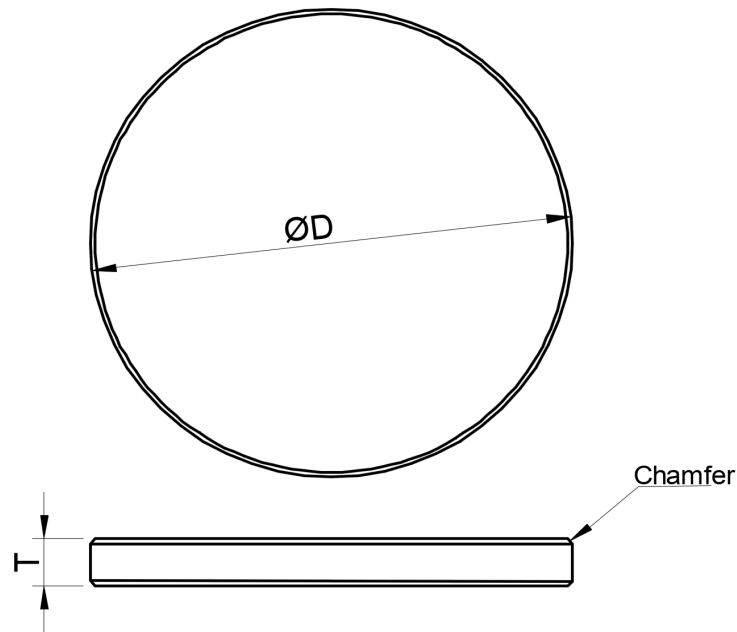
Info@optic-well.com
Sale@optic-well.com
www.optic-well.com

Products List

Mass Production; Custom Sapphire Crystal; Prototyping

+Specialized In Sapphire Components+

+Sapphire Windows+



Note:

1. D: Diameter
 2. T: Thickness
 3. Chamfer: C/R, Break Sharp Edges.
 4. tD: Diameter Tolerance (Best as $\pm 0.02\text{mm}$)
 5. tT: Thickness Tolerance (Best as $\pm 0.02\text{mm}$)
 6. Material: Optical Grade Sapphire (KY Method)
 7. S/D: Surface Quality, Polished As MIL-O-13830 Standard S/D Up to 10/5
 8. SF: Surface Flatness Up to $\lambda/10$ @633nm
 9. Parallelism: Parallelism Of Flat Surfaces
 10. Customization Order Available, Size From D2~D300
 11. MOQ 100Pcs(Dia<D10mm), 10Pcs(Dia<D150mm), 2Pcs(Dia>D150mm)
 12. Square, Drilled, Stepped Sapphire Window available
- Please send us your drawing and we will let you know whether we can do as your design

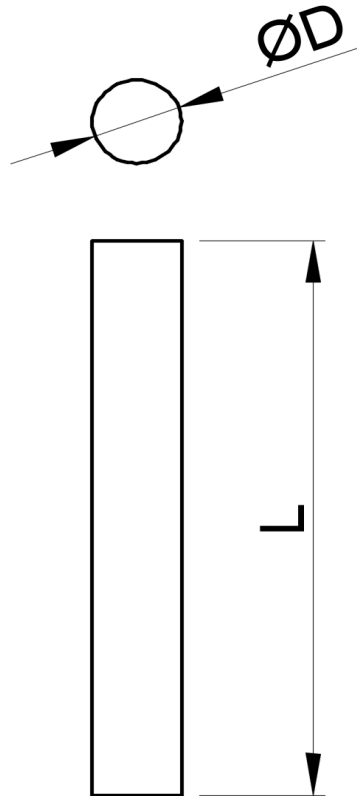
Info@optic-well.com
Sale@optic-well.com
www.optic-well.com

Sapphire Windows

Mass Production; Custom Sapphire Crystal; Prototyping

+Specialized In Sapphire Components+

+Sapphire Rods+



Note:

1. D: Diameter
 2. L: Thickness
 3. Chamfer: C/R, Break Sharp Edges.
 4. tD: Diameter Tolerance (Best as $\pm 0.02\text{mm}$)
 5. tT: Length Tolerance (Best as $\pm 0.02\text{mm}$)
 6. Material: Optical Grade Sapphire (KY Method)
 7. SQ: Surface Quality, Polished Transparent / Ground.
 8. Roundness: Roundness Up 0.02
 9. Parallelism: Parallelism Of Flat Surfaces
 10. Customization Order Available, Size From D2~D300
 11. MOQ 100Pcs(L<10), 50Pcs(L<50), 10Pcs(L<100), 2Pcs(L>100)
 12. Cone, Domed, Wedged Head available
- Please send us your drawing and we will let you know whether we can do as your design

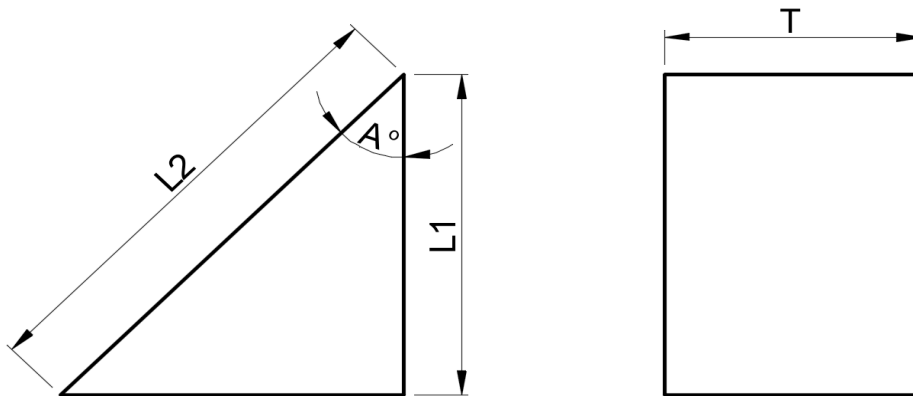
Info@optic-well.com
Sale@optic-well.com
www.optic-well.com

Sapphire Rods

Mass Production; Custom Sapphire Crystal; Prototyping

+Specialized In Sapphire Components+

+Sapphire Prisms+



Note:

1. L1: Length Of The Leg 1
2. L2: Length Of The Leg 2
3. A°: Angle Of The Prism, Best Tolerance As $\pm 0.5^\circ$
4. T: Thickness Of The Prism
3. Chamfer: C/R, Break Sharp Edges.
4. tL: Length Tolerance (Best as $\pm 0.02\text{mm}$)
5. tT: Thickness Tolerance (Best as $\pm 0.02\text{mm}$)
6. Material: Optical Grade Sapphire (KY Method)
7. SQ: Surface Quality, Polished As MIL-O-13830 Standard S/D Up to 20/10
8. SF: Surface Flatness Up to $\lambda/5$ @633nm
9. Parallelism: Parallelism Of Flat Surfaces
10. Customization Order Available, Size From 2x2x2~200x200x200
11. MOQ 100Pcs(L1xL2<10x10), 20Pcs(L1xL2<50x50), 10Pcs(L1xL2>50x50)
12. Dispersive, Reflective, Beam-Splitting, Polarizing, Deflecting Prisms are available
Please send us your drawing and we will let you know whether we can do as your design

Info@optic-well.com
 Sale@optic-well.com
 www.optic-well.com

Sapphire Prisms

Mass Production; Custom Sapphire Crystal; Prototyping

+Specialized In Sapphire Components+



Sapphire Tubes

+Sapphire Tubes+

OD(mm)	ID(mm)	Material	SQ	Max Length	Unit Price	General Tolerance
1	0.6	EFG Sapphire	Transparent / Foggy	300mm	/	±0.25
1.57	0.5	EFG Sapphire	Transparent / Foggy	300mm	/	±0.25
2.1	1.3	EFG Sapphire	Transparent / Foggy	500mm	/	±0.25
4	2	EFG Sapphire	Transparent / Foggy	500mm	/	±0.25
4.8	3.4	EFG Sapphire	Transparent / Foggy	300mm	/	±0.25
4.92	3.4	EFG Sapphire	Transparent / Foggy	300mm	/	±0.25
6	4	EFG Sapphire	Transparent / Foggy	800mm	/	±0.25
8	5	EFG Sapphire	Transparent / Foggy	800mm	/	±0.25
9.92	8	EFG Sapphire	Transparent / Foggy	200mm	/	±0.25
10	3	EFG Sapphire	Transparent / Foggy	800mm	/	±0.25
10	5	EFG Sapphire	Transparent / Foggy	1000mm	/	±0.25
16	4	EFG Sapphire	Transparent / Foggy	1000mm	/	±0.25
22	16	EFG Sapphire	Transparent / Foggy	1500mm	/	±0.25
25.4	22	EFG Sapphire	Transparent / Foggy	200mm	/	±0.25
29	24	EFG Sapphire	Transparent / Foggy	400mm	/	±0.25
30	27	EFG Sapphire	Transparent / Foggy	1000mm	/	±0.25
36	24	EFG Sapphire	Transparent / Foggy	1500mm	/	±0.25
57	30	EFG Sapphire	Transparent / Foggy	1000mm	/	±0.25
52	48	EFG Sapphire	Transparent / Foggy	800mm	/	±0.25

Note:

1. We have various stocked products, please contact us with drawings, and we will let you know whether we have them in stock and whether we can produce if we don't have stocked products same as your DWG .
2. Stocked Products have no MOQ limit, but Amount under 300USD will charge shipping cost (around 100USD).
3. Our ability is not limited as aboved products. If you have questions please contact us with Drawings, we will have a great talk.
4. Lead Time: In common situation: Sapphire Windows- In 4weeks ; Sapphire Rods - In 5weeks ; Sapphire Tubes - In 6weeks ; Sapphire Prisms - In 4weeks ; Higher Surface Quality and Surface Flatness Requests will increase at least 1 or 2weeks.

Info@optic-well.com
 Sale@optic-well.com
 www.optic-well.com

Sapphire Tubes

Mass Production; Custom Sapphire Crystal; Prototyping

+Specialized In Sapphire Components+